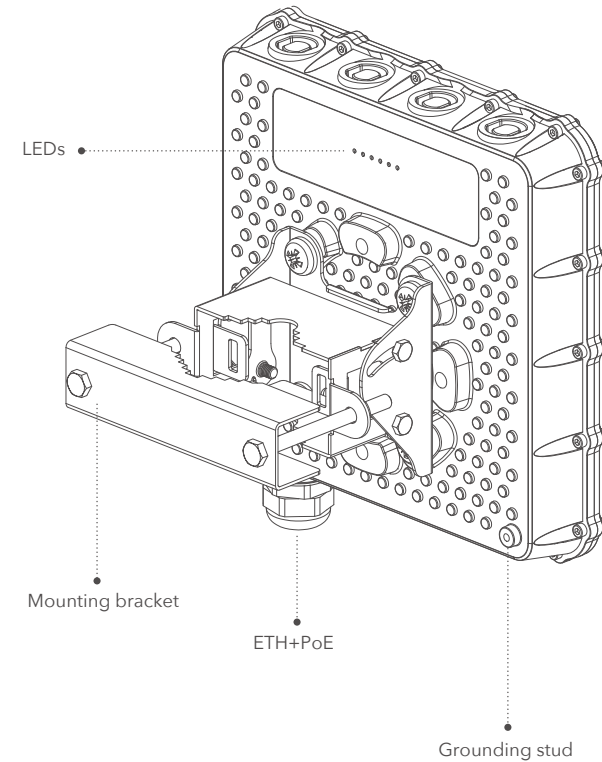




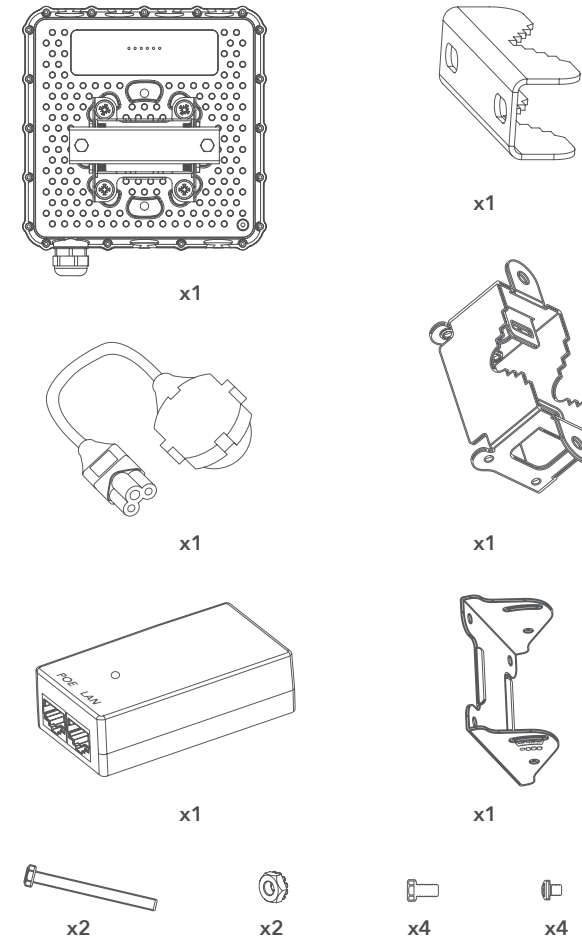
NFT Blizzard 2ac-90

INSTALLATION

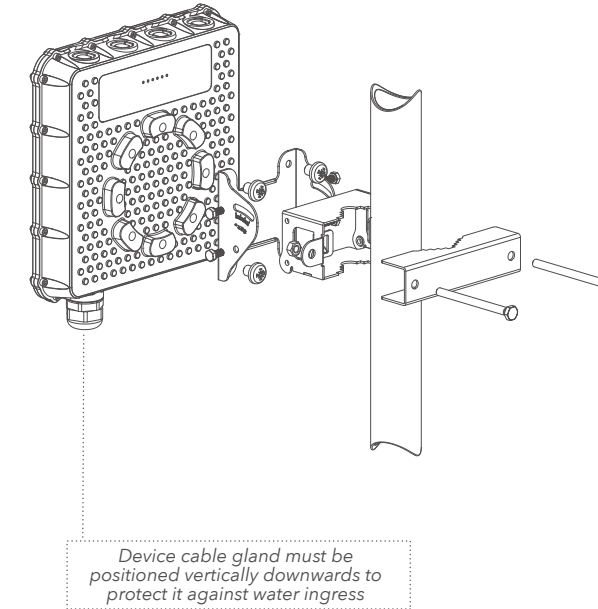
Overview



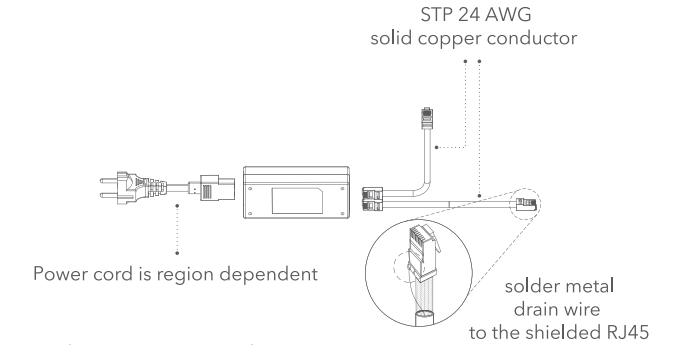
Package content



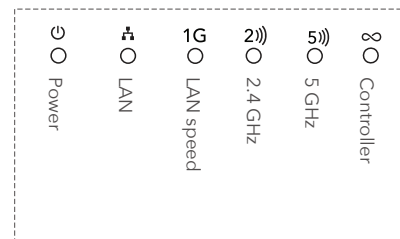
Mounting



PoE connection



LEDs



Default login settings

| | |
|---|--|
| IP address: DHCP client (fallback IP 192.168.2.66) | Login: Login: admin Pass: admin01 |
|---|--|

Important information

Copyright © 2019 LigoWave

This guide and the software described in it are copyrighted with all rights reserved. No part of this publication may be reproduced, transmitted, transcribed, stored in a retrieval system, or translated into any language in any form by any means without the written permission of LigoWave.

Notice

Product size and shape are subject to change without prior notice, and actual product appearance may differ from that depicted in the user guide.

While the information in this guide has been compiled with great care, it may not be deemed an assurance of product characteristics. LigoWave shall be liable only to the degree specified in the terms of sale and delivery. The reproduction and distribution of the documentation and software supplied with this product and the use of its contents is subject to written authorization from LigoWave.

Trademarks

LigoWave logo is trademark of LigoWave. All other registered and unregistered trademarks in this document are the sole property of their respective owners.

| Model name | NFT Blizzard 2ac-90 | |
|--------------------------|---------------------------------------|-------------------|
| Frequencies | 2.402 - 2.484 GHz | 5.170 - 5.875 GHz |
| Tx power | Up to 29 dBm (country dependent) | |
| EIRP info | 40 dBm | 44 dBm |
| Antenna gain | 11 dBi | 15 dBi |
| Power supply | 802.3 af/at or Passive PoE (48-56VDC) | |
| Power consumption | 16 W | |

Declaration of Conformity

Български [Bulgaria] С настоящото LigoWave декларира, че този тип радиосъоръжение NFT Blizzard 2ac-90 е в съответствие с Директива 2014/53/ЕС. Цялостният текст на ЕС декларацията за съответствие може да се намери на следния интернет адрес: <https://www.ligowave.com/downloads>

Česky [Czech] Tímto LigoWave prohlašuje, že typ rádiového zařízení NFT Blizzard 2ac-90 je v souladu se směrnicí 2014/53/EU. Úplné znění EU prohlášení o shodě je k dispozici na této internetové adrese: <https://www.ligowave.com/downloads>

Hrvatski [Croatia] LigoWave ovime izjavljuje da je radijska oprema tipa NFT Blizzard 2ac-90 u skladu s Direktivom 2014/53/EU. Uplne zneni EU prohlasei o shodje je k dispoziciji na sledejoj internetskoj adresi: <https://www.ligowave.com/downloads>

Dansk [Danish] Hermed erklærer LigoWave, at radioudstyrtypen NFT Blizzard 2ac-90 er i overensstemmelse med er i overensstemmelse med direktiv 2014/53/EU. EU-overensstemmelseserklæring-ens fulde tekst kan findes på følgende internetadresse: <https://www.ligowave.com/downloads>

Nederlands [Dutch] Hierbij verklaar ik, LigoWave, dat het type radioapparatuur NFT Blizzard 2ac-90 conform is met Richtlijn 2014/53/EU. De volledige tekst van de EU-conformiteitsverklaring kan worden geraadpleegd op het volgende internetadres: <https://www.ligowave.com/downloads>

English Hereby, LigoWave declares that the radio equipment type NFT Blizzard 2ac-90 is in compliance with Directive 2014/53/EU. The full text of the EU declaration of conformity is available at the following internet address: <https://www.ligowave.com/downloads>

Eesti [Estonian] Käesolevaga deklareerib LigoWave, et käesolev raadioseadme tüüp NFT Blizzard 2ac-90 vastab direktiivi 2014/53/EL nõuetele. ELi vastavusdeklaratsiooni täielik tekst on kättesaadav järgmisel internetiaadressil: <https://www.ligowave.com/downloads>

Suomi [Finnish] LigoWave vakuuttaa, että radiolaitetyyppi NFT Blizzard 2ac-90 on direktiivin 2014/53/EU mukainen. EU-vaatimustenmukaisuusvakuutuksen täysimittainen teksti on saatavilla seuraavassa internetosoitteessa: <https://www.ligowave.com/downloads>

Français [French] Le soussigné, LigoWave, déclare que l'équipement radioélectrique du type NFT Blizzard 2ac-90, est conforme à la directive 2014/53/UE. Le texte complet de la déclaration UE de conformité est disponible à l'adresse internet suivante: <https://www.ligowave.com/downloads>

Deutsch [German] Hiermit erkläre LigoWave, dass der Funkanlagentyp NFT Blizzard 2ac-90 der Richtlinie 2014/53/EU entspricht. Der vollständige Text der EU-Konformitätserklärung ist unter der folgenden Internetadresse verfügbar: <https://www.ligowave.com/downloads>

Ελληνική [Greek] Με την παρούσα ο/η LigoWave, δηλώνει ότι ο ραδιοεξοπλισμός NFT Blizzard 2ac-90, πληροί την οδηγία 2014/53/ΕΕ. Το πλήρες κείμενο της δήλωσης συμμόρφωσης ΕΕ διατίθεται συμμόρφωσης ΕΕ διατίθεται στην ακόλουθη ιστοσελίδα στο διαδίκτυο: <https://www.ligowave.com/downloads>

Magyar [Hungarian] LigoWave igazolja, hogy a NFT Blizzard 2ac-90 típusú rádióberendezés megfelel a 2014/53/EU irányelvnek. Az EU-megfelelő ségi nyilatkozat teljes szövege elérhető a következő internetes címen: <https://www.ligowave.com/downloads>

Íslenska [Icelandic] Hér með lýsir LigoWave yfir því að þetta NFT Blizzard 2ac-90 tæki er í samræmi við grunnkröfur og aðrar kröfur, sem gerðar eru í tilskipun 2014/53/EU. Fullur texti ESB samræmisfyrirlysing er að finna á eftirfarandi neffangi: <https://www.ligowave.com/downloads>

Italiano [Italian] Il fabbricante, LigoWave, dichiara che il tipo di apparecchiatura radio NFT Blizzard 2ac-90 è conforme alla direttiva 2014/53/UE. Il testo completo della dichiarazione di conformità UE è disponibile al seguente indirizzo Internet: <https://www.ligowave.com/downloads>

Latviski [Latvian] Ar šo LigoWave deklarē, ka radioiekārtā NFT Blizzard 2ac-90 atbilst. Direktīvai 2014/53/ES. Pilns ES atbilstības deklarācijas teksts ir pieejams šādā interneta vietnē: <https://www.ligowave.com/downloads>

Lietuvių [Lithuanian] LigoWave patvirtina, kad radijo įrenginiai NFT Blizzard 2ac-90 atitinka Direktyvą 2014/53/ES. Visas ES atitikties deklaracijos tekstas prieinamas šiuo interneto adresu: <https://www.ligowave.com/downloads>

Malti [Maltese] B'dan, LigoWave, niddikjara li dan it-tip ta' taghim tar-radju NFT Blizzard 2ac-90 huwa konformi mad-Direttiva 2014/53/UE. It-test kollu tad-dikjarazzjoni ta' konformità tal-UE huwa disponibbli f'dan l-indirizz tal-Internet li ġej: <https://www.ligowave.com/downloads>

Norsk [Norwegian] LigoWave erklærer herved at utstyret denne NFT Blizzard 2ac-90 enheten er i samsvar med de grunnleggende krav og øvrige relevante krav i direktiv 2014/53/EU. Den fulle teksten til EU-samsvarserklæringen er tilgjengelig på følgende internetadresse: <https://www.ligowave.com/downloads>

Slovensky [Slovak] LigoWave týmto vyhlasuje, že rádiové zariadenie typu NFT Blizzard 2ac-90 je v súlade so smernicou 2014/53/EU. Úplné EU vyhlásenie o zhode je k dispozícii na tejto internetovej adrese: <https://www.ligowave.com/downloads>

Slovenski [Slovenia] LigoWave potrjuje, da je tip radijske opreme NFT Blizzard 2ac-90 skladen z Direktivo 2014/53/EU. Celotno besedilo izjave EU o skladnosti je na voljo na naslednjem spletnem naslovu: <https://www.ligowave.com/downloads>

Svenska [Swedish] Härmed försäkras LigoWave att denna typ av radioutrustning NFT Blizzard 2ac-90 överensstämmer med direktiv 2014/53/EU. Den fullständiga texten till EU-försäkran om överensstämmelse finns på följande webbadress: <https://www.ligowave.com/downloads>

Español [Spanish] Por la presente, LigoWave declara que el tipo de equipo radioeléctrico NFT Blizzard 2ac-90 es conforme con la Directiva 2014/53/UE. El texto completo de la declaración UE de conformidad está disponible en la Dirección Internet siguiente: <https://www.ligowave.com/downloads>

Polski [Polish] LigoWave niniejszym oświadcza, że typ urządzenia radiowego NFT Blizzard 2ac-90 jest zgodny z dyrektywą 2014/53/UE. Pełny tekst deklaracji zgodności dostępny pod następującym adresem internetowym: <https://www.ligowave.com/downloads>

Português [Portuguese] O(a) abaixo assinado(a) LigoWave declara que o presente tipo de equipamento de rádio NFT Blizzard 2ac-90 está em conformidade com a Diretiva 2014/53/UE. O texto integral da declaração de conformidade está disponível no seguinte endereço de Internet: <https://www.ligowave.com/downloads>

Român [Romanian] Prin prezenta, LigoWave declară că tipul de echipamente radio NFT Blizzard 2ac-90 este în conformitate cu Directiva 2014/53/UE. Textul integral al declarației UE de conformitate este disponibil la toarea adresă internet: <https://www.ligowave.com/downloads>



| | | | | | | | | | | |
|----|----|----|----|----|----|----|----|----|----|----|
| AT | BE | BG | CZ | DK | EE | FR | DE | IS | IE | IT |
| EL | ES | CY | LV | LI | LT | LU | HU | MT | NL | NO |
| PL | PT | RO | SI | SK | TR | FI | SE | CH | UK | HR |



Contact information

Technical support
If you encounter problems when installing or using this product, please consult the LigoWave website at www.LigoWave.com for:

- Direct contact to the LigoWave support centers.
- Frequently Asked Questions (FAQ).
- Download area for the latest software, user documentation and product updates.

| | | |
|--|---|--|
| EU office: Zalgrio st. 92, Entrance 1, Floor III Vilnius, LT-09303, Lithuania support@ligowave.com | US office: Ligowave 138 Mountain Brook Drive Canton, GA 30115 United States of America For support: support@ligowave.com For sales enquiries: sales@ligowave.com | Manufacturer: LigoWave Inc. Limited, UnitD, 16/F., MG Tower, 133 Hoi Bun Road, Kwun Tong, Kowloon, Hong Kong |
|--|---|--|